

## C509 NRS Resilient Wedge Gate Valve Thread X Thread Ends

**MODEL 3700**

### Specifications

- Manufactured to ANSI / AWWA C509 Standard
- Threaded Ends -National Pipe Thread(NPT). Other threads types available.
- 2" Square Operating Nut or Hand Wheel (Optional).
- EPDM Fully Encapsulated Ductile Iron Wedge.
- High Strength Ductile-Iron Construction.
- Stainless Steel Stem.

- UL/ULC listed for size 2.5"-3".
- FM approved.

### Working Pressure and Temperature

- 300 psi rated @ -10°C to 82°C.

### Corrosion Protection

- Fusion bonded coating interior and exterior meet or exceed all applicable of AWWA C550 standard.

### Options

- ASTM B150 or other standard bronze stem.
- ASTM A276 Grade 316 stem.
- 316 Stainless steel fasteners.
- Post flange.
- Handwheel

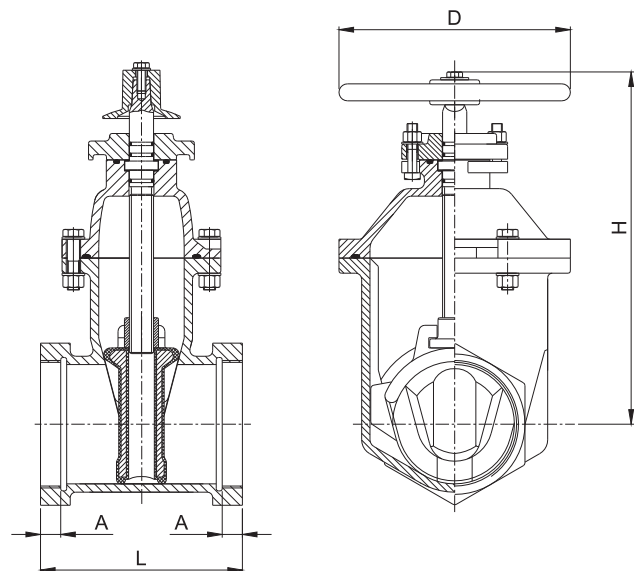
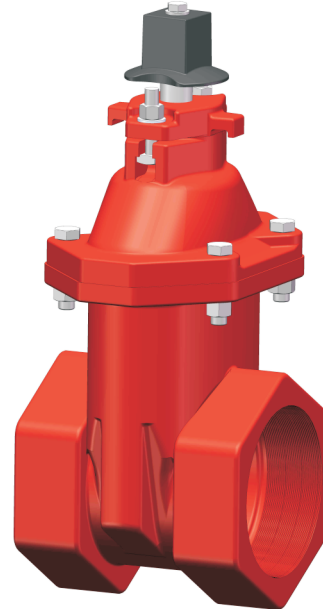
### Material Specification

Part	Material	ASTM Specification
<b>Body</b>	Ductile Iron	A536 Grade 65-45-12
<b>Wedge</b>	EPDM Fully Encapsulated Ductile Iron Wedge	
<b>Wedge Nut</b>	Bronze	B148 C95200
<b>Bonnet</b>	Ductile Iron	A536 Grade 65-45-12
<b>Stem</b>	Stainless Steel	A276 Grade 304
<b>Gland</b>	Ductile Iron	A536 Grade 65-45-12
<b>Operating Nut</b>	Ductile Iron	A536 Grade 65-45-12
<b>Post Flange</b>	Ductile Iron	A536 Grade 65-45-12
<b>Fasteners</b>	Stainless Steel	F593 Grade 304
<b>Body/Bonnet Gasket</b>	NBR	D2000

### Main Dimensions (mm/inch)

Size	2	2.5	3
<b>L</b>	178/7.0	190/7.5	203/8.0
<b>A</b>	23/0.9	28/1.1	31/1.2
<b>H</b>	260/10.2	275/10.8	335/13.2
<b>D</b>	185/7.25	185/7.25	255/10.0

### Schematic



#### Notes

- Designs, materials and specifications shown are subject to change without notice due to the continuous development of our products.