



C515 NRS Resilient Wedge Gate Valve MJ x FL Ends, 30"

MODEL 4400

Specifications

- Meet or exceed the requirements of AWWA C515 standard.
- Full waterway.
- EPDM Fully Encapsulated Ductile Iron Wedge.
- Triple O-Ring stem seal.
- Flange and drilling complies with ASTM B16.1 Class 125.
- Mechanical joint outlet complies with ANSI/AWWA C153 /A21.53.

Working Pressure and Temperature

- 250 psi rated @ -10°C to 82°C.

Corrosion Protection

- Fusion bonded coating interior and exterior meet or exceed all applicable of AWWA C550 standard.

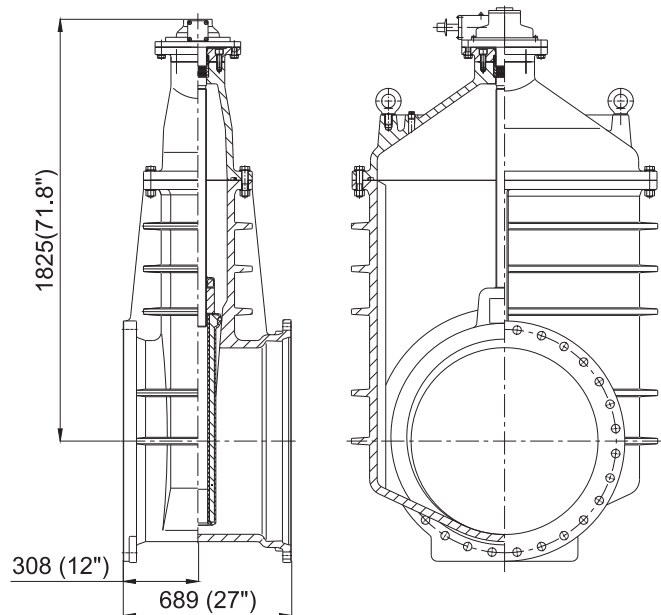
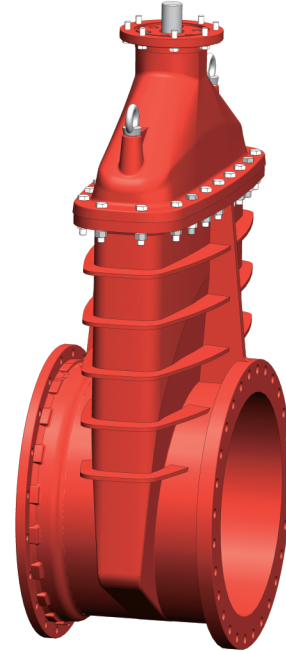
Options

- ASTM B150 or other standard bronze stem.
- ASTM A276 Grade 316 stem.
- 316 Stainless steel fasteners.
- Bevel Gear or Spur Gear.

Material Specification

| Part | Material | ASTM Specification |
|--------------------|--|---------------------|
| Body | Ductile Iron | A536 Grade 65-45-12 |
| Wedge | EPDM Fully Encapsulated Ductile Iron Wedge | |
| Wedge Nut | Bronze | B148 C95200 |
| Bonnet | Ductile Iron | A536 Grade 65-45-12 |
| Stem | Stainless Steel | A276 Grade 304 |
| Gear Adapter | Ductile Iron | A536 Grade 65-45-12 |
| Thrust Collar | Bronze | B148 C95200 |
| Operating Nut | Ductile Iron | A536 Grade 65-45-12 |
| Gland Bush | Brass | B16 C36000 |
| Guide | Stainless Steel | A240 Grade 304 |
| Fasteners | Stainless Steel | F593 Grade 304 |
| Body/Bonnet Gasket | NBR | D2000 |

Schematic



Notes

- Designs, materials and specifications shown are subject to change without notice due to the continuous development of our products.

