



## C515 NRS Resilient Wedge Gate Valve FL x FL Ends, 30"

**MODEL 4500**

### Specifications

- Meet or exceed the requirements of AWWA C515 standard.
- Full waterway.
- EPDM Fully Encapsulated Ductile Iron Wedge.
- Triple O-Ring stem seal.
- Face to face dimension complies with ASME B16.10 and EN558 series 3.
- Flange and drilling complies with ASTM B16.1 Class 125.

### Working Pressure and Temperature

- 250 psi rated @ -10°C to 82°C.

### Corrosion Protection

- Fusion bonded coating interior and exterior meet or exceed all applicable of AWWA C550 standard.

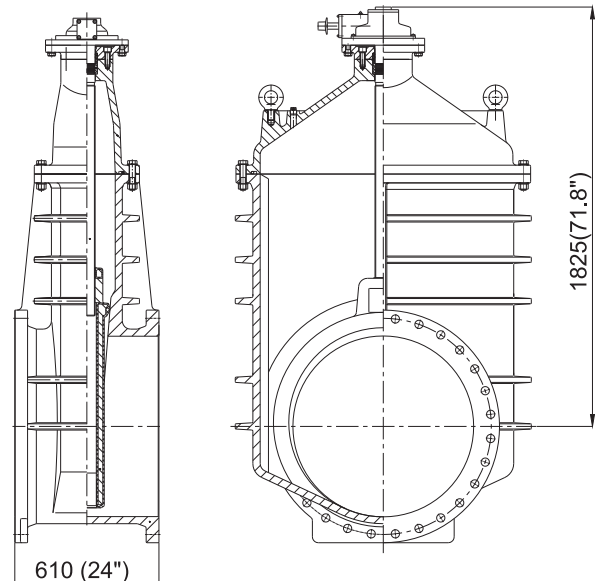
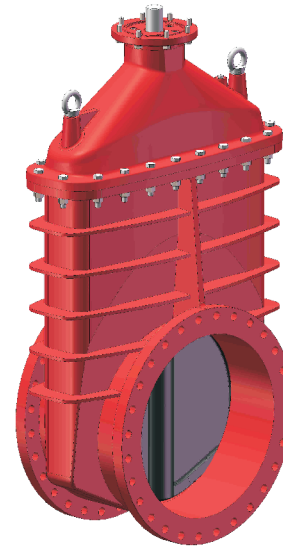
### Options

- ASTM B150 or other standard bronze stem.
- ASTM A276 Grade 316 stem.
- 316 Stainless steel fasteners.
- Bevel Gear or Spur Gear.

### Material Specification

Part	Material	ASTM Specification
Body	Ductile Iron	A536 Grade 65-45-12
Wedge	EPDM Fully Encapsulated Ductile Iron Wedge	
Wedge Nut	Bronze	B148 C95200
Bonnet	Ductile Iron	A536 Grade 65-45-12
Stem	Stainless Steel	A276 Grade 304
Gear Adapter	Ductile Iron	A536 Grade 65-45-12
Thrust Collar	Bronze	B148 C95200
Operating Nut	Ductile Iron	A536 Grade 65-45-12
Gland Bush	Brass	B16 C36000
Guide	Stainless Steel	A240 Grade 304
Fasteners	Stainless Steel	F593 Grade 304
Body/Bonnet Gasket	NBR	D2000

### Schematic



### Notes

- Designs, materials and specifications shown are subject to change without notice due to the continuous development of our products.

